

Steel-Line's

INDUSTRIAL C ROLLER DOORS



Steel-Line's industrial C roller doors combine a unique profile with **strength and reliability** - nothing else compares!

Available with direct drive or planetary geared chain drive, the Steel-Line industrial C roller door is ideal for use in factories, warehouses and commercial applications and suitable for openings up to 5100mm high x 5370mm wide.

HIGH STRENGTH & SECURITY

Manufactured from the finest quality materials including Bluescope® Steel Colorbond® or Zinalume® combined with the unique continuous curtain profile, our industrial C roller door offers unsurpassed strength, security and value for money.

RELIABILITY

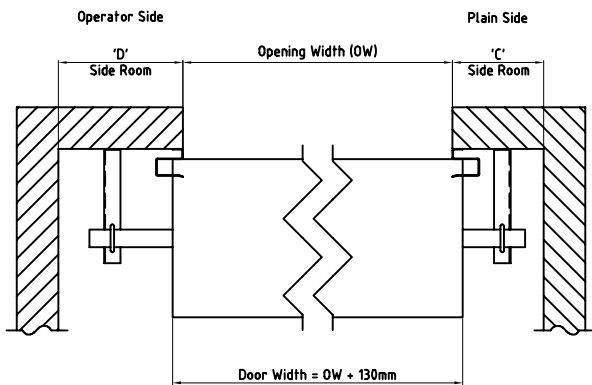
Comprising heavy duty bottom rail with durable PVC weather seal, our industrial C roller door provides your industrial or commercial premises with excellent protection from the harsh elements including wind, rain and dust.

OPTIONS

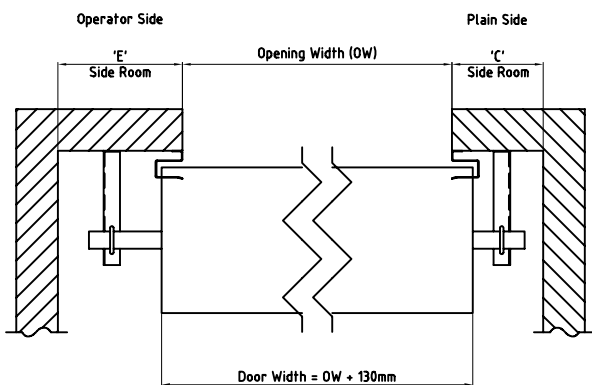
- Centre Mullions
- Sloping Bottom Rail
- Centre Lift Lock
- Shoot Bolt Locking
- Motorisation

INDUSTRIAL C ROLLER DOORS

Direct Drive Chain Plan View



Planetary Gear Drive Chain Plan View



Opening Height

Opening Height mm	A	B	C	D	E
3300	510	630	115	150	-
3600	510	630	125	-	200
4200	550	630	125	-	200
4800	590	710	125	-	200
5100	590	710	125	-	200

Operator Table

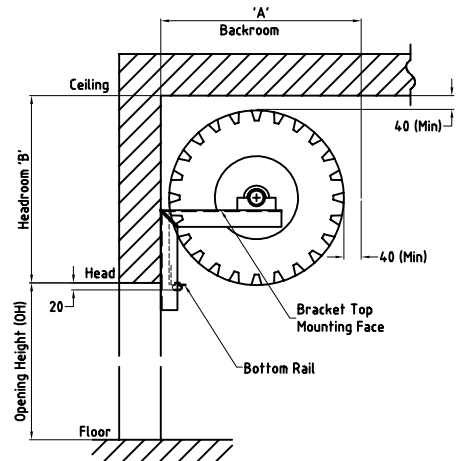
Opening Width mm \ Height mm	3300	3600	4200	4800	5100
3100					
3430					
3760					
4370					
5100					
5370					

Direct drive chain Planetary gear drive chain

Steel-Line Garage Doors has a continuous program of product development and reserves the right to change specifications at any time without notice.

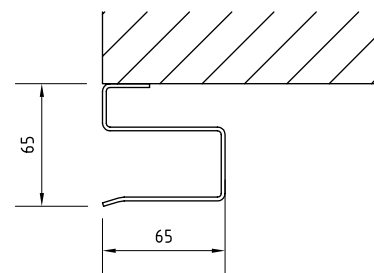
Proudly distributed by:

Elevation View

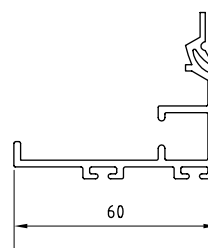


The structure to which the brackets and tracks are to be mounted must be of sufficient strength to accommodate the loads imposed by the door. The surface on which the brackets and tracks are mounted should be extended up above the lintel and be flush with or slightly behind the lintel.

Track Detail



Bottom Rail Detail



Strength, by Design

Compare Steel-Line's industrial C roller door with other door brands with weaker curtain profiles.

